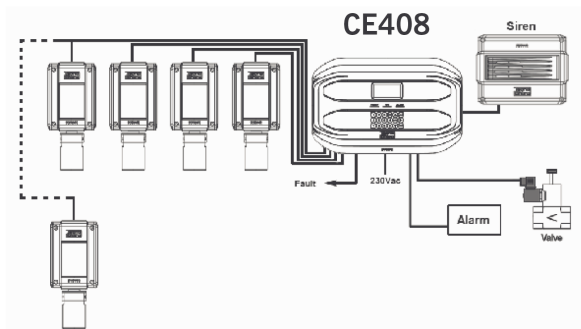


MICROPROCESSED CENTRAL FOR CONTROL OF 4 TO 8 ZONES

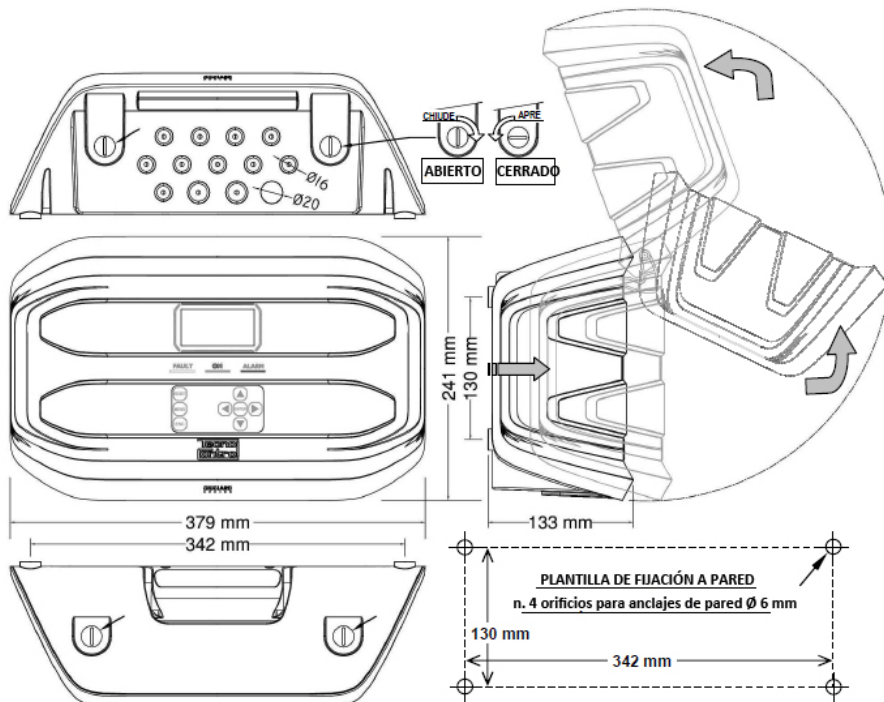
AE/GI-CE408PD

Description

Microprocessed control unit for the control of up to 8 gas sensors 4-20 mA (zones). Provided with 4 zones of detectors, 5 programmable output relays 1 a logic input. Programming of 3 alarm levels and one fault level per zone. It has a backlit display that shows the information in real time of the values recorded from the connected sensors. Internal memory of the last 100 events. AND, OR and PARKING functions available for the zones. Built-in RESET function.



Dimensions



TECHNICAL CHARACTERISTICS

Power supply:	230Vac
Inputs:	maximum 8 detectors (4 installed expandable to 8 with ES404 board)
Logic inputs:	1 for an immediate alarm (eg, Button)
Output relay:	max. 9 (5 installed expandable to 9 with ES414 board)
Reproduction capacity:	3A (resistive) SPDT 230Vac
Alarm levels:	3 programmable levels + fault, zone programmable level
Dimensions:	285 (l) x230 (h) x140 (p) mm
Protection:	IP40